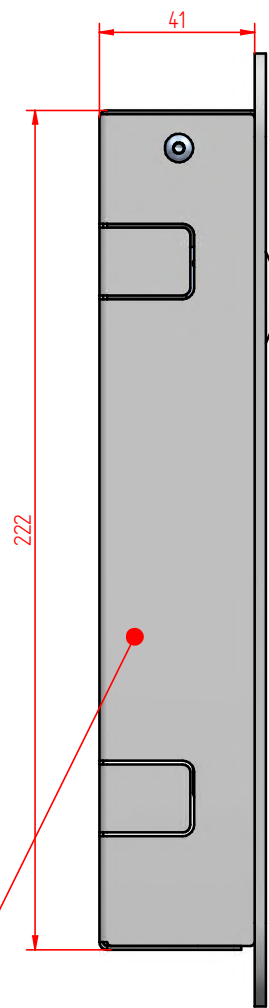
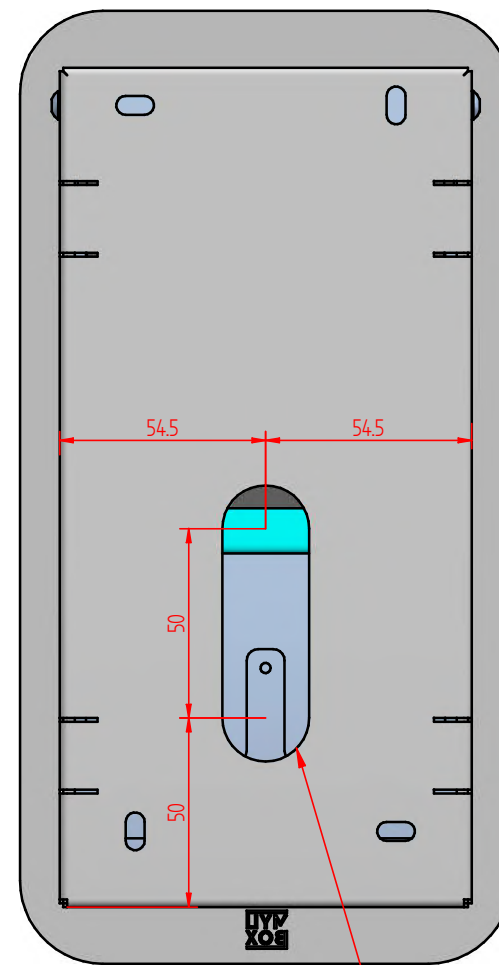


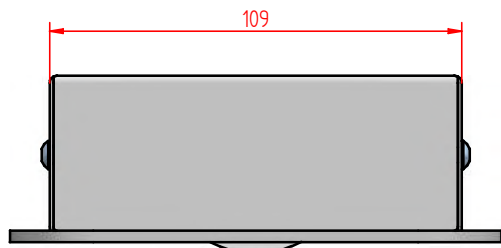
Spaces for
customisation
55x30mm
Backlit
engraved names



Minimum hole on masonry
L.115xH.225 mm



Hole for
cable
passage



Code: MA 1791000

Description: Table dimensions

Material: Stainless Steel

Finish: Satin

DESIGN EXCLUSIVELY OWNED BY MARINOX SRL, WHICH RESERVES ALL LEGAL RIGHTS